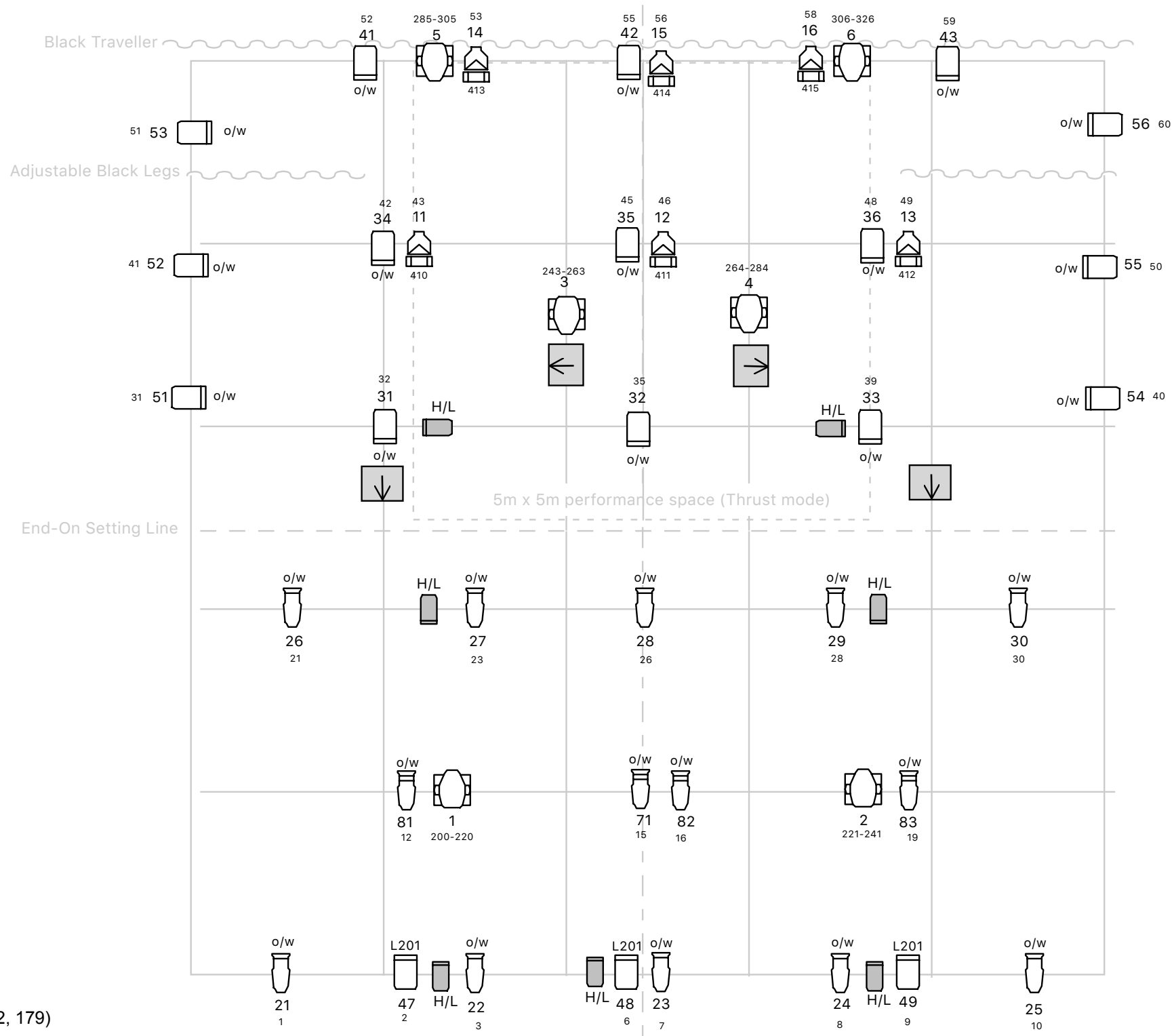


- Scroller Colours in Rosco Supergel:
- 1-13 Straw Tint
 - 2-371 Theatre Booster #1
 - 3-382 Congo Blue
 - 4-80 Primary Blue
 - 5-83 Medium Blue
 - 6-89 Moss Green
 - 7-90 Dark Yellow Green
 - 8-95 Medium Blue Green
 - 9-59 Indigo
 - 10-45 Rose
 - 11-49 Medium Purple
 - 12-27 Medium Red
 - 13-26 Light Red
 - 14-23 Orange
 - 15-312 Canary
 - 16-00 Clear

- Groups:
- 1 - Warm Wash FOH 21-30
 - 2 - Warm Wash B/L 41-43
 - 3 - Top Light 31-36
 - 4 - Cool Wash FOH 47-49
 - 5 - Scroller B/L 11-16
 - 6 - SL Pipe Ends 54-56
 - 7 - SR Pipe Ends 51-53

- Booms/Loose fixtures:
- 2 x 2.6m stands c/w T bars
 - 6 x 2m booms c/w floor bases
 - 12 x boom arms
 - 6 x ETC S4 Zoom 25/50
 - 6 x ETC S4 PAR WFL
 - 5 x Acclaim 650w Fresnels
 - 6 x Selecon HUI 500w floods

Houselights: Ch 101 (dims 171, 172, 179)
 Control Area :Ch 99 (dim 70)
 Projector DMX Dowser: Ch 100 (dim 401)
 DMX switchable independent available on each overhead lighting bar.
 Floor level dim circuits, DMX independents and tech power (up to 32A 1P) available USL, USR



KEY:

- ETC S4 Par WFL
- ETC S4 Zoom 25-50
- ETC S4 Zoom 15-30
- Acclaim 650w Fresnel
- Rama 1kw Fresnel
- Robe 300 LED Wash
- Scroller
- Speaker (not moveable)



Colour

Desk Channel #

Dimmer/DMX #

Notes:

Drawing not to scale - representative only.

Units 81-83 available for refocus (size B gobo holders also available for these units).

Very limited colour filter kept in house - please supply what you require.

This drawing available as LXFree file on request.

Questions? Contact: steve.coe@oldfirestation.org.uk



STANDARD LIGHTING RIG